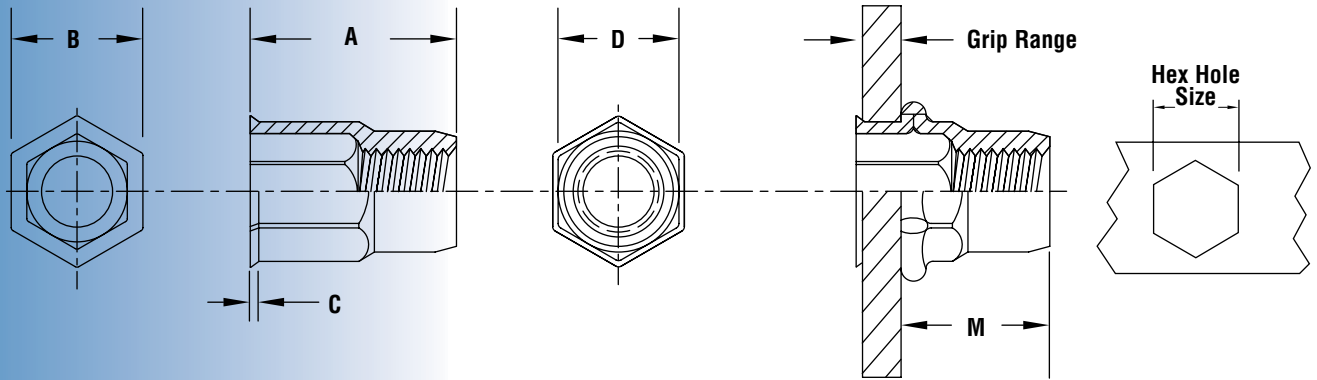


# Type AETHC

SpinTite® - Half-hex shank low-profile head



- Features and Benefits**
- ▶ 300 Series Stainless Steel insert for superior corrosion resistance.
  - ▶ Hexagonal hole for increased spinout.
  - ▶ Half-hex shank and low-profile head design.
  - ▶ Popular metric hole sizes.



All dimensions are in inches.

Thread Size (1)	Part Number	Grip Range (1)	A ±.010	B ±.012	C ±.004	D Max.	M Ref.	Hex Hole Size In Sheet +.004 -.000
#8-32	AETHC-832-80	.020 - .080	.430	.260	.020	.235	.270	.236
#10-32	AETHC-1032-120	.020 - .120	.470	.300	.020	.275	.260	.276
1/4-20	AETHC-420-120	.020 - .120	.570	.380	.025	.353	.335	.354
1/4-20	AETHC-420-220	.120 - .220	.650	.380	.025	.353	.305	.354
5/16-18	AETHC-518-120	.020 - .120	.630	.470	.028	.432	.355	.433

All dimensions are in millimeters.

Thread Size (1)	Part Number	Grip Range (1)	A ±0.25	B ±0.31	C ±0.1	D Max.	M Ref.	Hex Hole Size In Sheet +0.1
M4	AETHC-470-2.0	0.5 - 2	10.92	6.6	0.51	5.98	6.85	6
M5	AETHC-580-3.0	0.5 - 3	11.94	7.62	0.51	6.98	6.6	7
M6	AETHC-610-3.0	0.5 - 3	14.48	9.65	0.64	8.98	8.5	9
M6	AETHC-610-5.5	3 - 5.5	16.51	9.65	0.64	8.98	7.75	9
M8	AETHC-8125-3.0	0.5 - 3	16	11.94	0.71	10.98	9	11

(1) Additional thread sizes and grip ranges available.

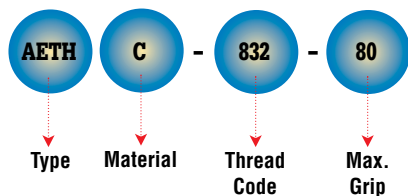
## Performance Data

Part Number	Test Sheet	Near Minimum Grip				Near Maximum Grip			
		Pullout (lbs.)	Pushout (lbs.)	Spinout (in. lbs.)	Upset Load (lbs.)	Pullout (lbs.)	Pushout (lbs.)	Spinout (in. lbs.)	Upset Load (lbs.)
AETHC-832-80	300 Series Stainless Steel	675	215	29	875	2400	450	55	1700
AETHC-1032-120	300 Series Stainless Steel	675	260	29	1150	2800	460	85	2000
AETHC-420-120	300 Series Stainless Steel	775	265	65	1700	4800	720	160	3100
AETHC-420-220	300 Series Stainless Steel	4100	570	165	1700	5100	650	205	3100
AETHC-518-120	300 Series Stainless Steel	825	260	90	2700	7000	1000	250	4600

Part Number	Test Sheet	Near Minimum Grip				Near Maximum Grip			
		Pullout (kN)	Pushout (kN)	Spinout (N•m)	Upset Load (kN)	Pullout (kN)	Pushout (kN)	Spinout (N•m)	Upset Load (kN)
AETHC-470-2.0	300 Series Stainless Steel	3	1	3.3	3.9	10.7	2	6.2	7.7
AETHC-580-3.0	300 Series Stainless Steel	3	1.2	3.3	5.1	12.5	2	9.6	8.9
AETHC-610-3.0	300 Series Stainless Steel	3.4	1.2	7.3	7.6	21.4	3.2	18.1	13.8
AETHC-610-5.5	300 Series Stainless Steel	18.2	2.5	18.6	7.6	22.7	2.9	23.2	13.8
AETHC-8125-3.0	300 Series Stainless Steel	3.7	1.2	10.2	12	31.1	4.4	28.2	20.5

**NOTE:** Performance data is derived from mechanical testing conducted per PennEngineering® document FTS-138, when fasteners are installed in 300 Series Stainless Steel panel material. Copies of FTS-138 can be supplied upon request.

### Part Number Designation



### Material & Finish Specifications

**Threads:**  
 Unified, 2B per ASME B1.1  
 Metric, 6H per ASME B1.13M

**Material:**  
 300 Series Stainless Steel

**Finish:**  
 Passivated

### ATLAS® AE 45 Spin-Pull Tool

This ATLAS® portable tool provides a hydraulic/pneumatic action to install ATLAS Type AETHC stainless steel inserts. It is a fast, powerful, efficient, and quiet tool, designed to provide long life and trouble free service.



RoHS compliance information can be found on our website.  
 © 2008 PennEngineering.

Specifications subject to change without notice.  
 Check our website for the most current version of this bulletin.

PennEngineering®



**North America:** Danboro, PA 18916 USA • E-mail: atlas@pemnet.com • Tel: +1-215-766-5987 • Fax: +1-215-766-5988 • 877-682-2505 (USA Only)  
**U.K. And Europe:** Doncaster, England • E-mail: uk@pemnet.com Tel: +44 (0)1302 765700 • Fax: +44 (0)1302 367580  
**Asia/Pacific:** Singapore • E-mail: singapore@pemnet.com • Tel: +65-6-745-0660 • Fax: +65-6-745-2400  
 Shanghai, China • E-mail: china@pemnet.com • Tel: +86-21-5868-3688 • Fax: +86-21-5868-3988

Visit our PEMNET™ Resource Center at [www.pemnet.com](http://www.pemnet.com)